

Product Information

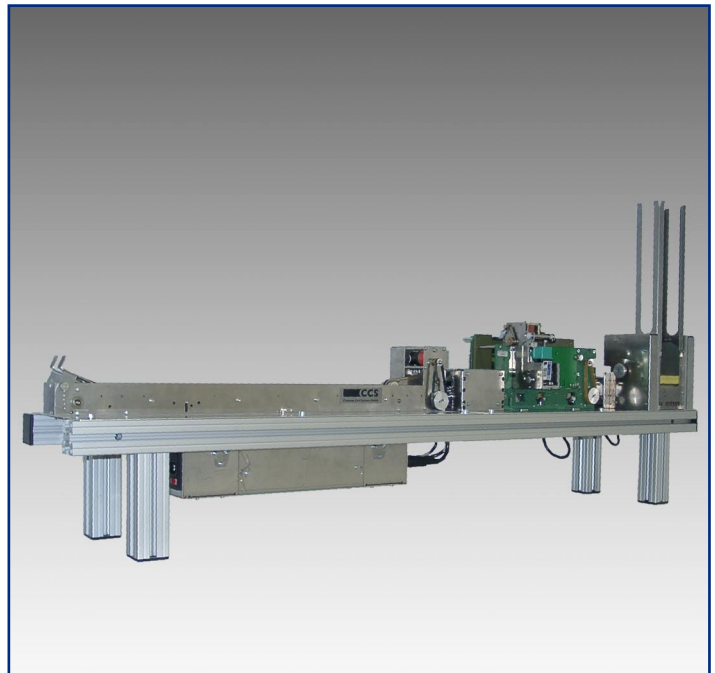
- Processing of magnetic data carriers with ISO track and/or smart cards
- Direct inkjet printing on paper
- LOCO/HICO
- Internal parallel interface by PC slot card
- Easy pull down menus for user
- Possibility of adapting different muzzles an stackers of the KGB-Series
- Possibility of adapting different feeding modules of the KGB-Series

Produktinformation

- Verarbeitung magnetischer Datenträger mit ISO-Spurlage und/oder Chipkarten
- Direkter Inkjekt-Druck auf Papier
- LOCO/HICO
- Internes Parallelinterface über PC Einsteckkarte
- Bedienerfreundliche Menüsteuerung
- Anschlussmöglichkeit verschiedener Mundstücke und Ablagesysteme der CCS-KGB®-Serie
- Anschlussmöglichkeit verschiedener Papierzuführungsmodule der CCS-KGB®-Serie

Information sur le produit

- Élaboration ou établissement de supports de données magnétiques dans les cartes ISO et/ou cartes à puce
- Impression à jet d'encre directe sur papier
- LOCO/HICO
- Interface parallèle interne via carte ordinateur enfichable
- Commande de menu simple
- Possibilités de connexion de divers embouts et systèmes de rangement de la série KGB®
- Possibilités de connexion de divers modules d'introduction du papier rangement de la série KGB®



SINGLE TICKET ENCODING UNIT

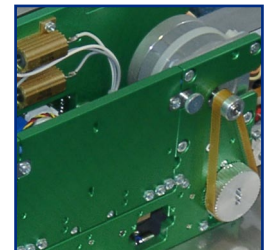
with inkjet printing module

EINZELKARTEN KODIERANLAGE

mit Inkjetmodul

SYSTEME DE CODAGE DES CARTES INDIVIDUELLES

avec module d'injection d'encre



CCS Challenge Card Systems GmbH
Rombacher Hütte 12a
44795 Bochum
Germany
Tel. +49 (0)234 94391 - 0
Fax +49 (0)234 94391 - 99
info@ccs-cardtec.com
www.ccs-cardtec.com

CCS
built-in reliability

Dimensions

W 1650 mm H 670 mm D 120 mm
depends on configuration

Power Supply

230 V AC / 50 Hz
24 V DC / 200 W max.
Text printing: 150 W max.
Graphic printing: 200 W max.

Cards

Thickness: 0.16 - 0.86 mm
Format: 54 x 85.6 mm
Material: paper, compound, PVC

Card Transport Speed

Normal transport: 350 - 500 mm/s
Printing depending on paper quality: 50 - 500 mm/s

Print Head

Type: HP
Resolution: 8 dot/mm
1 longitudinal print line (max. 40 characters)

Character Set

PICA, other character sets on request.
Each character set includes the full IBM set of 20h-FFh.

Internal Interface

Parallel by PC I/O slot card

Environment

Range of temperature: 20 - 40 °C
Air humidity (RH): 30 - 70 %
non condensing
Vibration: 10 - 55 Hz
2 mm amplitude
along axis x, y and z
for max. 30 minutes

PC System

Pentium CPU 200 MHz
64 MB RAM, 2 GB HD, color monitor

Coercivity

LOCO or HICO (2750 or 3500 Oe)

Magnetic Characteristics

Central track / ISO 1, 2, 3
F2F, others on request
ABA, IATA, THRIFT, others on request

Bit Densities

75 - 210 bpi, others on request

Integrated Modules

CCS 4804 KGB®: single infeeder for paper/PVC cards, capacity up to 1000 tickets, transport speed 280 mm/s
CCS 4813 KGB®: bad ticktet selector
CCS 4025 KGB®: ticket stacker

Capacity

3000 - 5000 Tickets / h

Maintenance and Service

Every 3 months or every 300 000 tickets:
Check thermal head and magnetic head(s)
Every 6 months or every 500 000 tickets:
Check belts, photocells and DC motors
Every 12 months or every 6 000 000 tickets:
Check stepper motor and rollers

Reliability

MTBF*: > 20 000 h
MCBF*: > 200 000 tickets
MTTR: < 0.5 h in workshop

** without wear parts*

